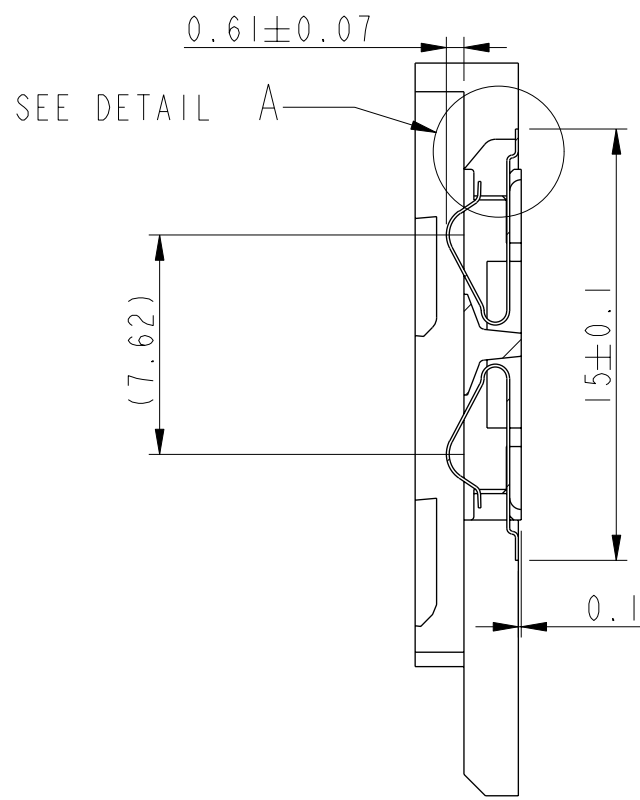
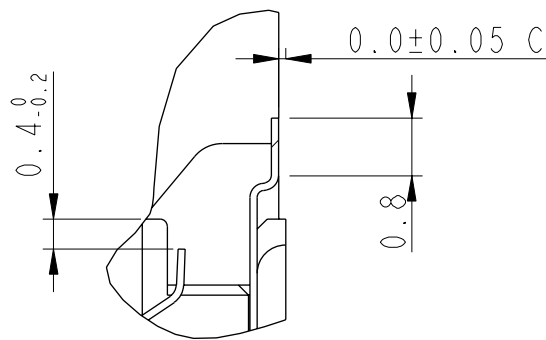


PART NUMBER
7111S1615A01
7111S1615A01LF ← LEAD FREE VERSION

DETAIL A
SCALE 10:1



SECTION A-A

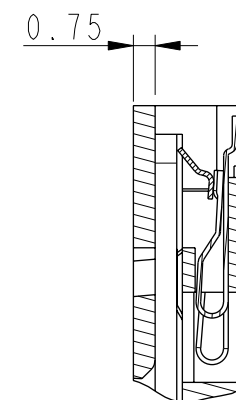
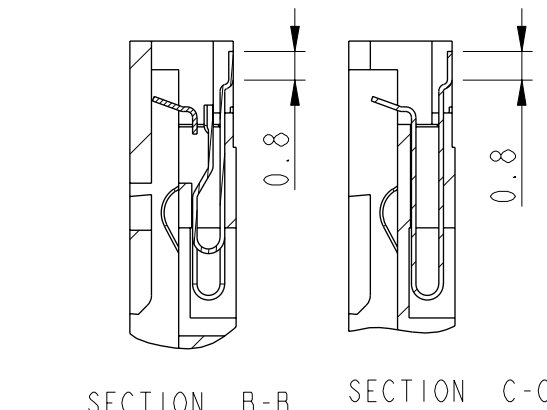
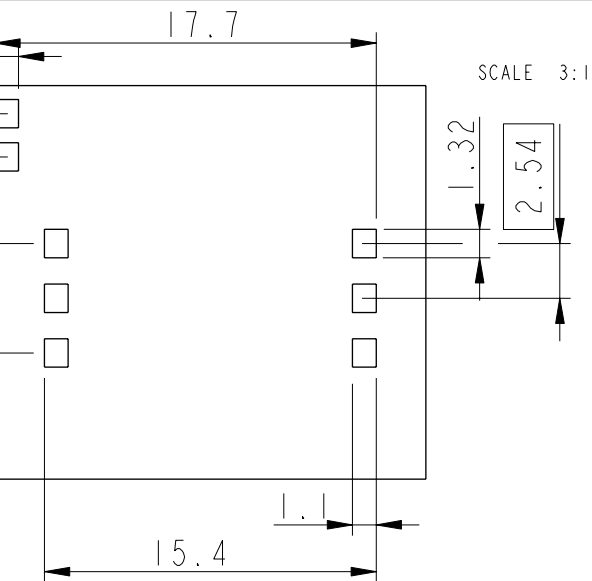
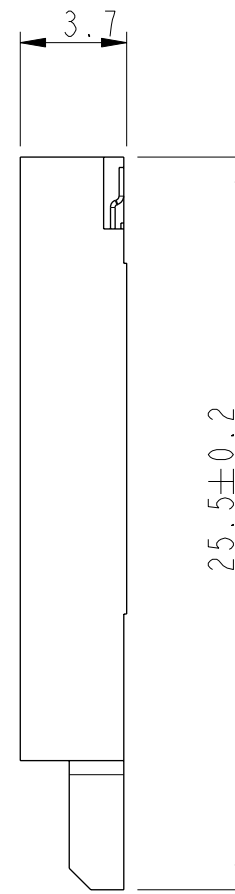
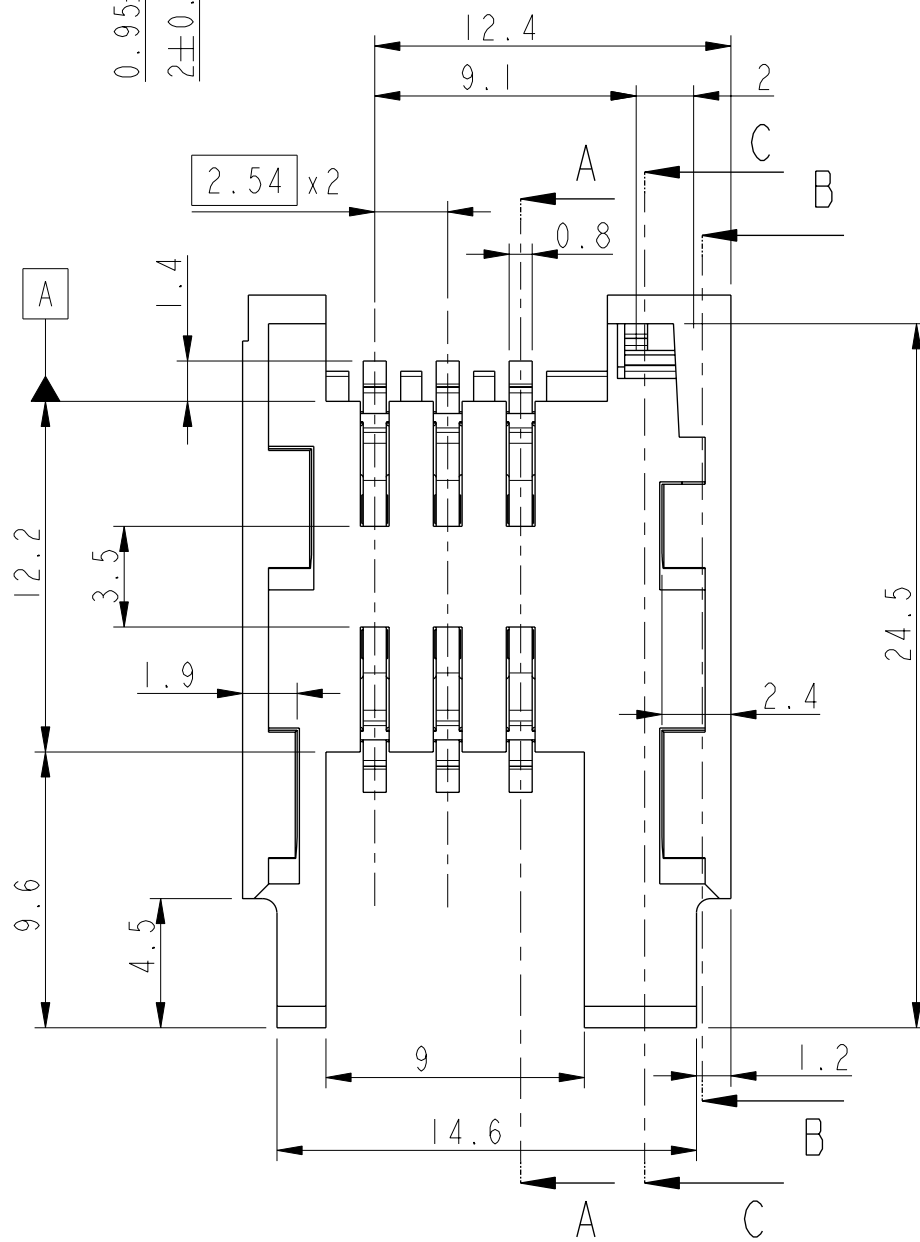
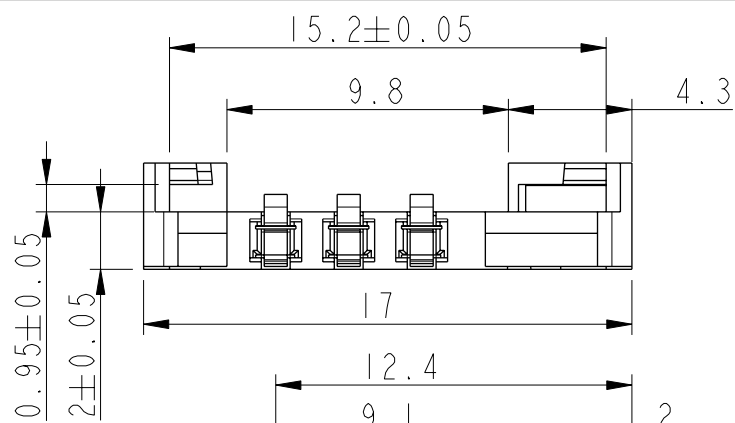
LEAD FREE VERSION:

"This product meets European Union Directives and other country regulations as described in GS-22-008"

PROCESSING

Ni 2 micrometer
Gold 2.5 micrometer
Output: SnPb 2.5 micrometer (for leaded version)
matte tin 2.5 micrometer (for lead free version)

'C' CRITICAL DIMENSION
GENERAL TOLERANCES: ±0.1



CARD SECTION B-B
SCALE 4:1

DETAIL OF SWITCH

www.fciconnect.com		surface - ✓ ISO 1302	tolerance std ISO 406 ISO 1101	projection mm
TOLERANCES UNLESS OTHERWISE SPECIFIED				
Dr	BERNARDET	1998/09/02	ANGULAR	0.x ±
Eng	ODIC	1998/09/02	LINEAR	0.xx ±
Chr	R.KUMAR.P.K	2008/03/17	0° ±	0.xxx ±
Appr	S.VARMA	2008/03/17	Product family	MOBILE IO
rev ecn no dr date			size	A3
01	-	JBB	1997/04/03	Scale
02	-	-	1997/09/26	4:1
A	LS2025	MPE	2002/05/04	ECN
B	105-0167	NT	2005/09/23	108-0042
C	105-0240	NT	2005/11/19	Spec ref
D	106-0073	SSC	2006/06/08	--
E	108-0042	SSC	2008/03/17	
title		SIM CARD CONNECTOR with switch		Rev.
SML6 series		VJW53943		E
catalog no		SEE NOTES	CUSTOMER COPY	sheet 1 of 1



Copyright FCI.